

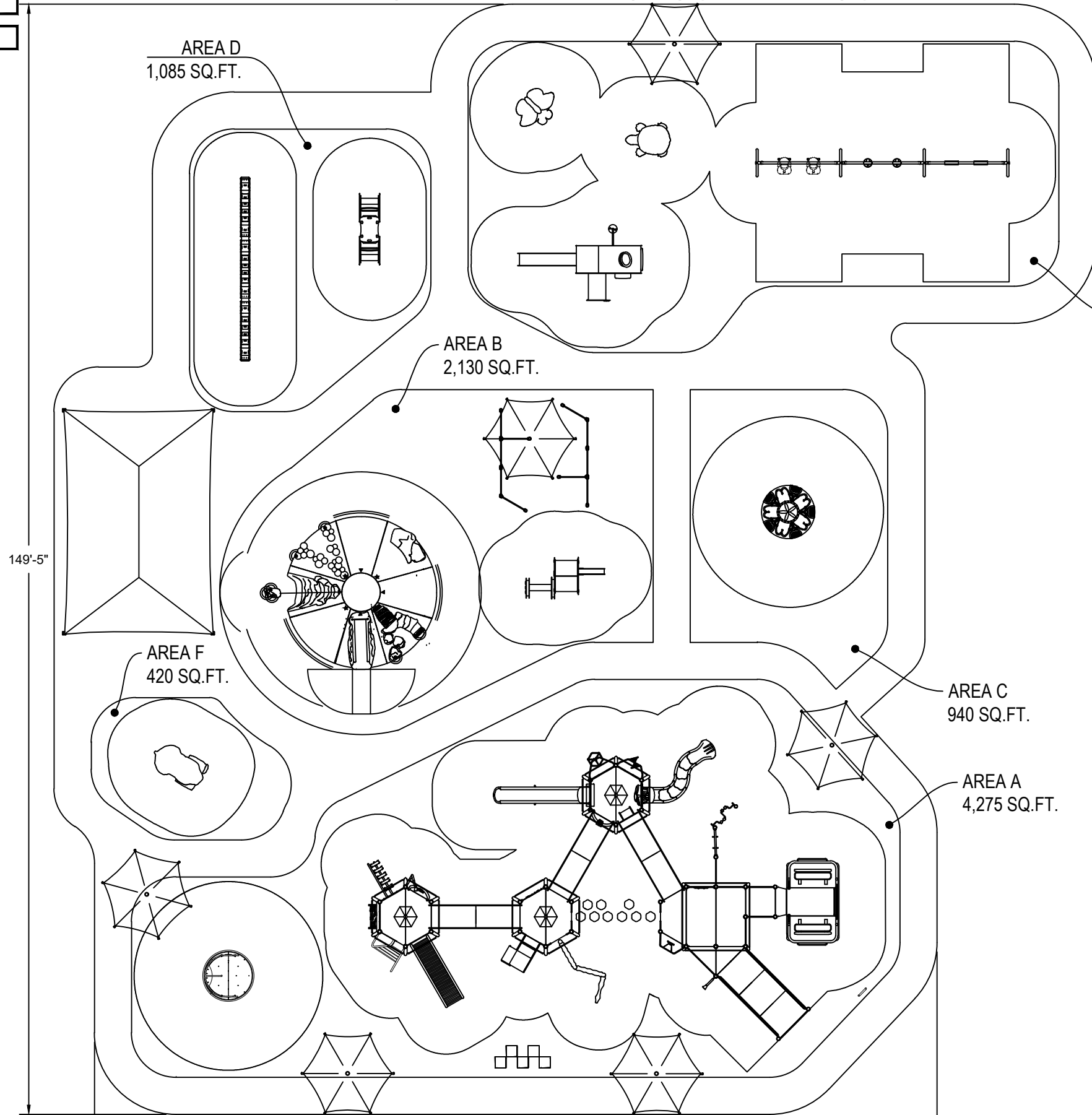
AREA: 16,870 SQ.FT.
PERIMETER: 551'-2"

The information provided is for estimation purposes only.

Play Area Capacity: 325-335

FINN'S FRIENDS PARK - REV C - WILLIAMSTOWN, NJ

OVERALL PLAYGROUND LAYOUT



2-12 PLAY AREA		
ELEVATED PLAY ACTIVITIES - TOTAL	2	REQ'D 1
ELEVATED PLAY ACTIVITIES ACCESSIBLE BY TRANSFER	2	REQ'D 1
ELEVATED PLAY ACTIVITIES ACCESSIBLE BY RAMP	0	REQ'D 0
GROUND LEVEL ACTIVITY TYPE	9	REQ'D 1
GROUND LEVEL ACTIVITY QUANTITY	38	REQ'D 1

5-12 PLAY AREA		
ELEVATED PLAY ACTIVITIES - TOTAL	22	REQ'D 0
ELEVATED PLAY ACTIVITIES ACCESSIBLE BY TRANSFER	18	REQ'D 11
ELEVATED PLAY ACTIVITIES ACCESSIBLE BY RAMP	18	REQ'D 11
GROUND LEVEL ACTIVITY TYPE	6	REQ'D 0
GROUND LEVEL ACTIVITY QUANTITY	13	REQ'D 0



DESIGNED FOR AGES	
2-12 & 5-12	
ADDITIONAL GROUND LEVEL ACCESSIBLE ITEMS NEEDED FOR ADA COMPLIANCE	
TYPE:	QUANTITY:
0	0

- ✓ COMPLIES TO CPSC
- ✓ COMPLIES TO ASTM
- ✓ COMPLIES TO ADA

GROUND SPACE:	PROTECTIVE AREA:
N/A	NOTED

AN ENERGY ABSORBING PROTECTIVE SURFACE IS REQUIRED UNDER & AROUND ALL PLAY SYSTEMS.

EG
SHEET: 11"X17"
SCALE: 1/16"=1'-0"
DATE: 01/04/2024

MP240001.02.1

To promote safe and proper equipment use by children, Miracle recommends the installation of either a Miracle safety sign or other appropriate safety signage near each playsystem's main entry point(s) to inform parents and supervisors of the age appropriateness of the playsystem and general rules for safe play.

FINN'S FRIENDS PARK - REV C - WILLIAMSTOWN, NJ 5-12 PLAY STRUCTURE & FREESTANDING EQUIPMENT DETAIL



DESIGNED FOR AGES
2-12 & 5-12

ADDITIONAL GROUND LEVEL ACCESSIBLE ITEMS NEEDED FOR ADA COMPLIANCE

TYPE:	QUANTITY:
0	0

- ✓ COMPLIES TO CPSC
- ✓ COMPLIES TO ASTM
- ✓ COMPLIES TO ADA

GROUND SPACE:	PROTECTIVE AREA:
N/A	NOTED



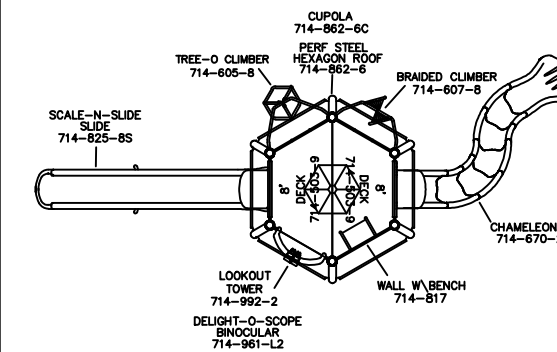
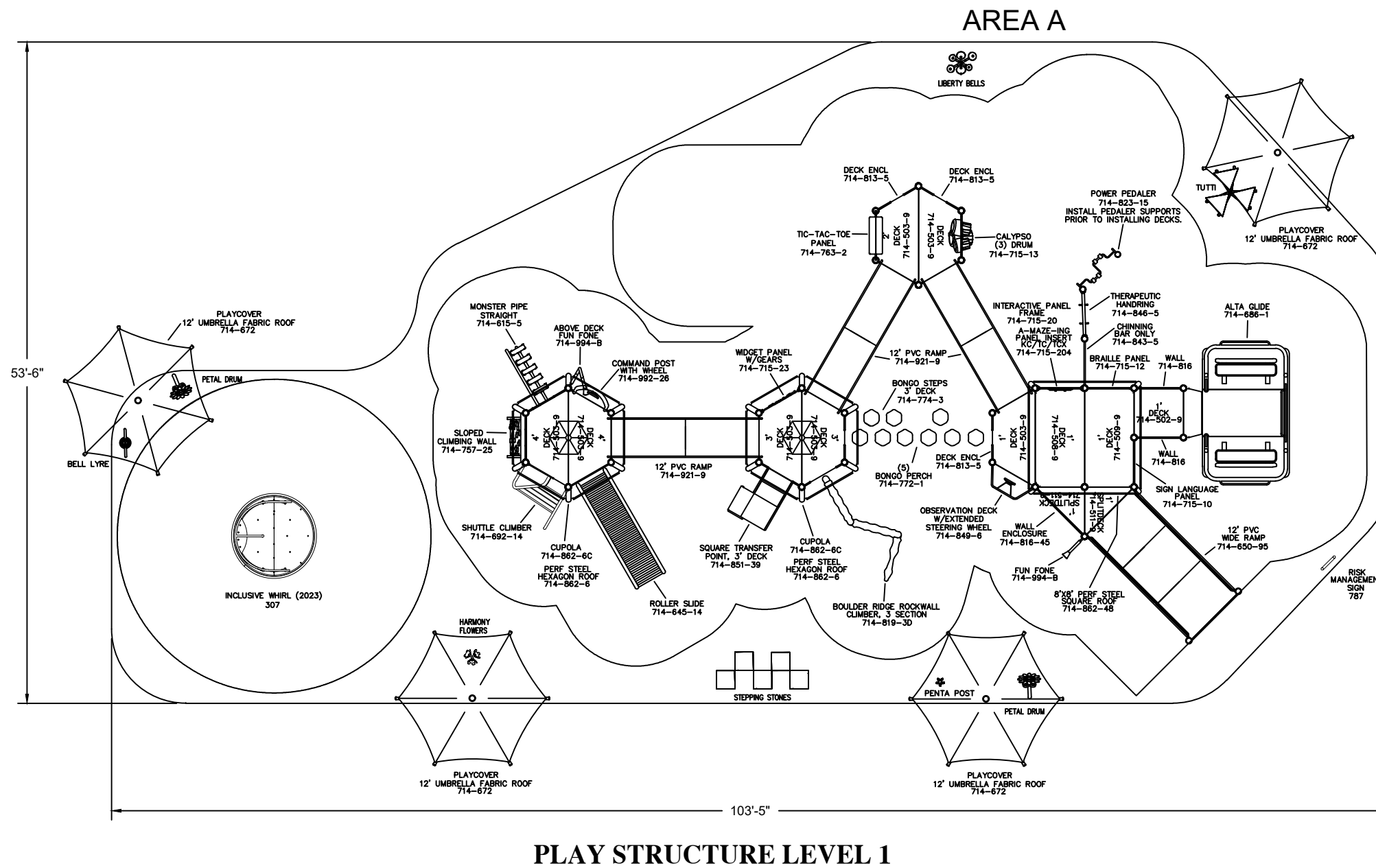
To verify product certification, visit www.ipema.org

THE PLAY COMPONENTS IDENTIFIED IN THIS PLAN ARE IPEMA CERTIFIED. THE USE AND LAYOUT OF THESE COMPONENTS CONFORM TO THE REQUIREMENTS OF ASTM F1487.

AN ENERGY ABSORBING PROTECTIVE SURFACE IS REQUIRED UNDER & AROUND ALL PLAY SYSTEMS.

EG
SHEET: 11"X17"
SCALE: 3/32" = 1'-0"
DATE: 01/04/2024

MP240001.02.2



FINN'S FRIENDS PARK - REV C - WILLIAMSTOWN, NJ

2-12 FREESTANDING EQUIPMENT DETAIL



DESIGNED FOR AGES
2-12 & 5-12

ADDITIONAL GROUND LEVEL ACCESSIBLE ITEMS NEEDED FOR ADA COMPLIANCE

TYPE:	QUANTITY:
0	0

- ✓ COMPLIES TO CPSC
- ✓ COMPLIES TO ASTM
- ✓ COMPLIES TO ADA

GROUND SPACE:	PROTECTIVE AREA:
N/A	NOTED



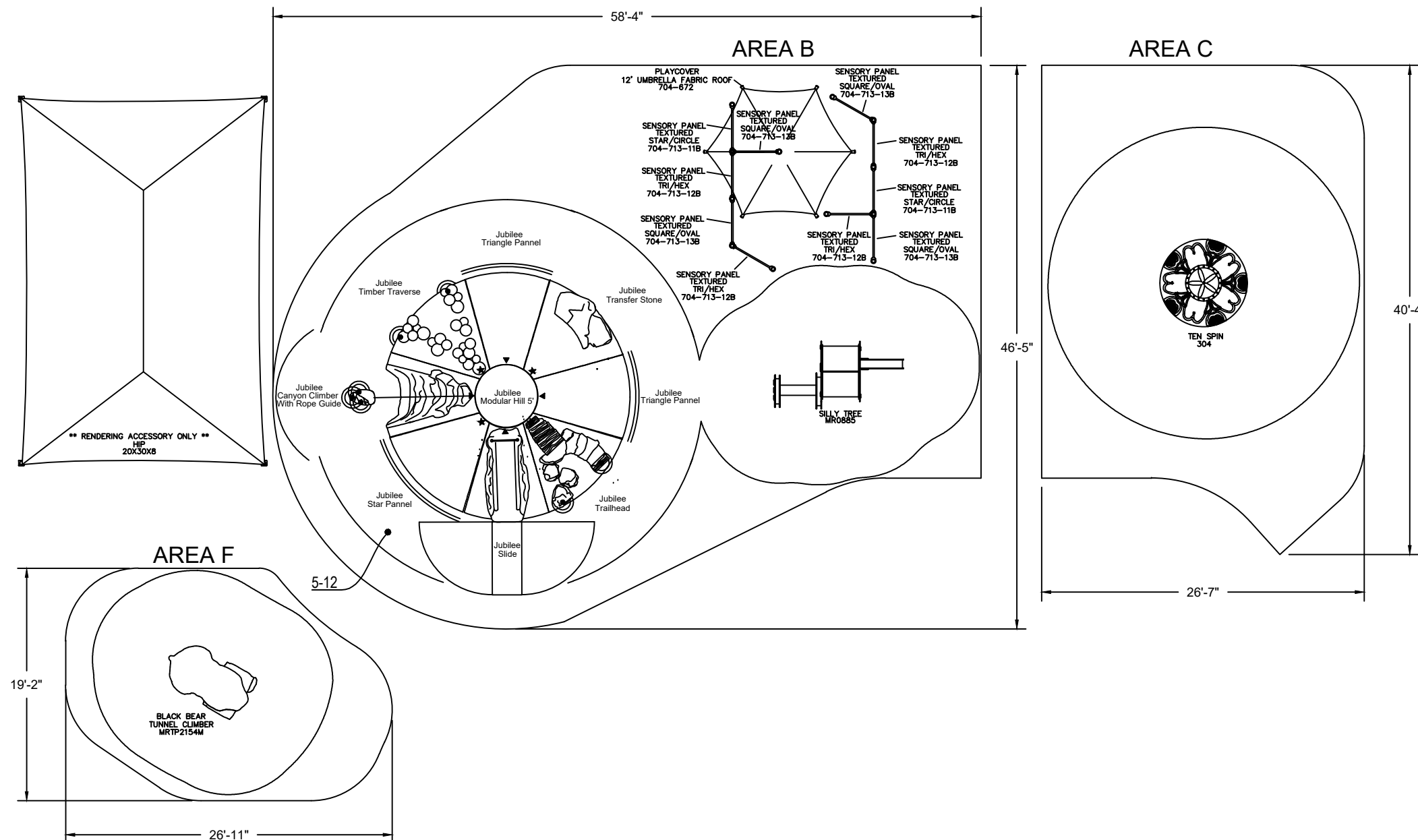
To verify product certification, visit www.ipema.org

THE PLAY COMPONENTS IDENTIFIED IN THIS PLAN ARE IPEMA CERTIFIED. THE USE AND LAYOUT OF THESE COMPONENTS CONFORM TO THE REQUIREMENTS OF ASTM F1487.

AN ENERGY ABSORBING PROTECTIVE SURFACE IS REQUIRED UNDER & AROUND ALL PLAY SYSTEMS.

EG
SHEET: 11"X17"
SCALE: 3/32" = 1'-0"
DATE: 01/04/2024

MP240001.02.3



FINN'S FRIENDS PARK - REV C - WILLIAMSTOWN, NJ

2-12 & 5-12 FREESTANDING EQUIPMENT DETAIL



DESIGNED FOR AGES
2-12 & 5-12

ADDITIONAL GROUND LEVEL ACCESSIBLE ITEMS NEEDED FOR ADA COMPLIANCE

TYPE:	QUANTITY:
0	0

- ✓ COMPLIES TO CPSC
- ✓ COMPLIES TO ASTM
- ✓ COMPLIES TO ADA

GROUND SPACE:	PROTECTIVE AREA:
N/A	NOTED



To verify product certification, visit www.ipema.org

THE PLAY COMPONENTS IDENTIFIED IN THIS PLAN ARE IPEMA CERTIFIED. THE USE AND LAYOUT OF THESE COMPONENTS CONFORM TO THE REQUIREMENTS OF ASTM F1487.

AN ENERGY ABSORBING PROTECTIVE SURFACE IS REQUIRED UNDER & AROUND ALL PLAY SYSTEMS.

EG
SHEET: 11"X17"
SCALE: 3/32" = 1'-0"
DATE: 01/04/2024

MP240001.02.4

